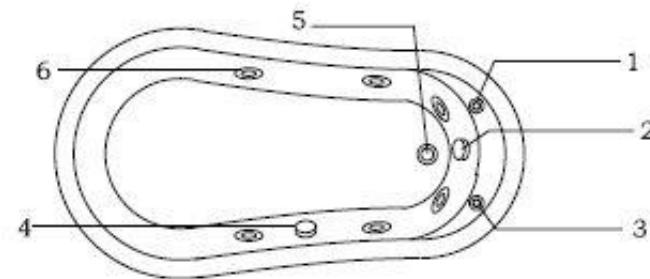
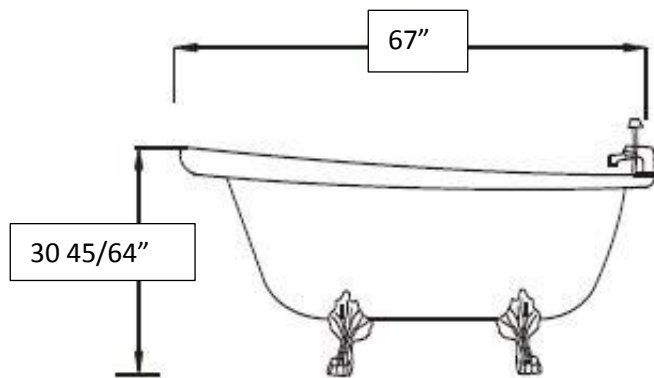
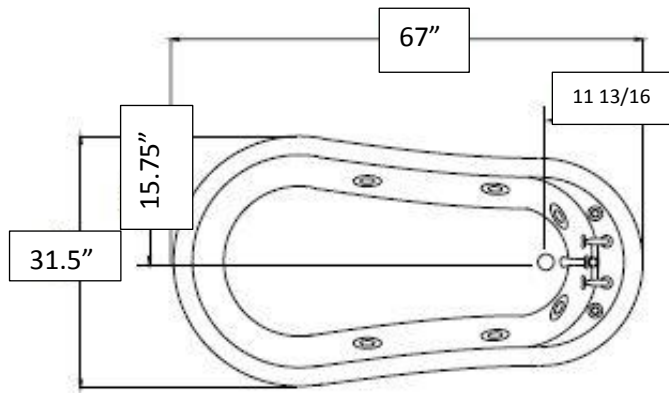


# Sketch



- |                      |                      |
|----------------------|----------------------|
| 1, water pump switch | 6, water jet         |
| 2, drainage switch   | 7, switch valve      |
| 3, air conditioning  | 8, cold water switch |
| 4, water in          | 9, shower            |
| 5, drainage          | 10, hot water switch |

**Size: 1700x800x780mm**